

# FISHER & PAYKEL

## SPECIFICATION GUIDE

## DOUBLE DISHDRAWER™ DISHWASHER, TALL, SANITIZE SERIES 7, CONTEMPORARY STYLE



### OVERVIEW

Doing the dishes got easier. Load one drawer while the other washes - with the top drawer fitting your large dinner plates easily

### MODELS

#### Double DishDrawer™ Dishwasher, Tall, Sanitize

Stainless Steel  
DD24DCTX9 N

#### Double DishDrawer™ Dishwasher, Tall, Sanitize

Stainless Steel, Water Softner  
DD24DCHTX9 N

#### Double DishDrawer™ Dishwasher, Tall, Sanitize

White  
DD24DCTW9 N

#### Double DishDrawer™ Dishwasher, Tall, Sanitize

Black  
DD24DCTB9 N

### SERIES & STYLE

Series 7  
Contemporary Style

### FEATURES

- ① Six wash programs to suit any load, from Delicate to Heavy
- ② Flexible racking can be folded down to fit bigger dishes
- ③ Use both drawers independently, with the ability to select different wash programs
- ④ DishDrawer™ Dishwashers are designed to match the Fisher & Paykel family of kitchen appliances

### ACCESORIES

- ① Two Cutlery basket
- ② Kickstrip

# FISHER & PAYKEL

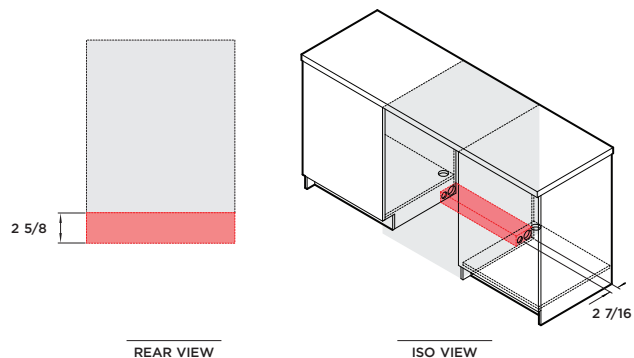
## SPECIFICATION GUIDE

## DOUBLE DISHDRAWER™ DISHWASHER, TALL, SANITIZE SERIES 7, CONTEMPORARY STYLE

### SPECIFICATIONS

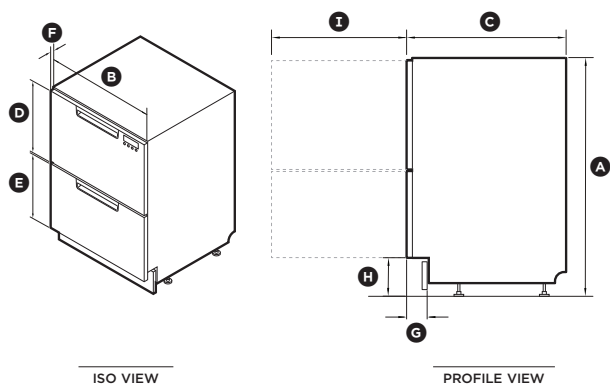
Model No.	DD24DCTX9 N, DD24DCHTX9 N, DD24DCTW9 N, DD24DCTB9 N
Dimensions	H 34" - 36 3/8" (864mm - 924mm) x W 23 9/16" (599mm) x D 22 9/16" (573mm)
Weight	
Electrical	
Supply	110-120V, 60Hz
Service	8.7A
Receptacle	3 prong grounding-type
Plumbing	
Supply	Supplied hose to suit 3/8" (9mm) male compression fitting
Pressure	Water softener models: max. 1 MPa (145 psi), min. 0.1 MPa (14.5 psi) Non-water softener models: max. 1 MPa (145 psi), min. 0.03 MPa (4.3 psi)

### PLUMBING AND ELECTRICAL

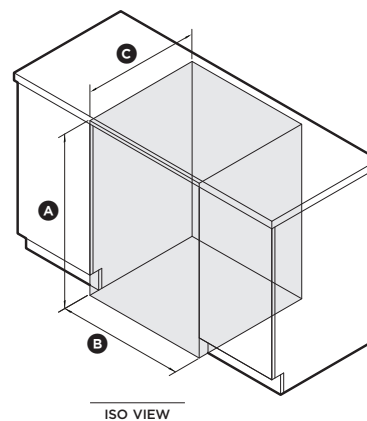


Service outlet at rear extends both sides, hoses and cords can be routed to either or both sides

### PRODUCT DIMENSIONS



### CAVITY DIMENSIONS: STANDARD INSTALLATION



	in	mm
Ⓐ Overall height*	34 - 36 3/8	864 - 924
Ⓑ Overall width	23 9/16	599
Ⓒ Overall depth	22 9/16	573
Ⓓ Height of upper front panel	17 3/16	437
Ⓔ Height of lower front panel	12 1/4	312
Ⓕ Depth of front panels	13/16	20
Ⓖ Depth of toe kick recess	1 1/2 - 4	38 - 102
Ⓗ Height from floor to front panel base*	1 1/2 - 4	72 - 127
Ⓘ Depth of open drawer	21 9/16	547

\*Depending on adjustment of levelling feet

	in	mm
Ⓐ Overall height*	min 34	min 864
Ⓑ Overall width	23 5/8	600
Ⓒ Overall depth**	22 13/16	580

\*Depending on adjustment of levelling feet

\*\*Includes front panels